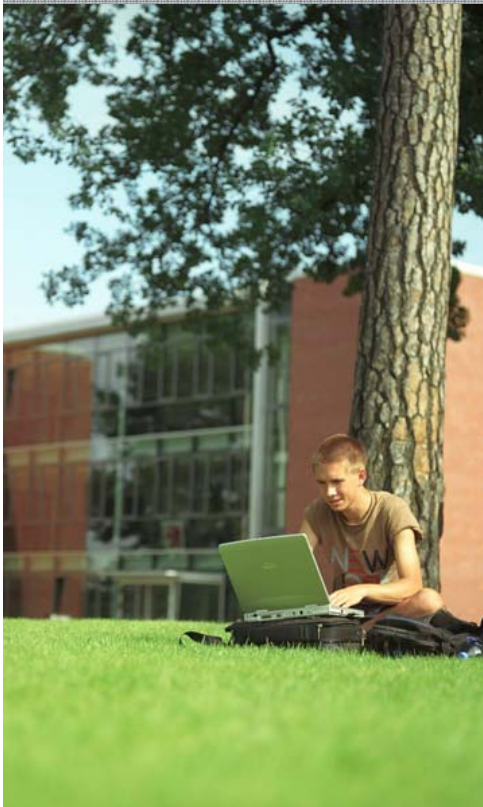




Hasso  
Plattner  
Institut

IT Systems Engineering | Universität Potsdam



ORX

Process modeling on the web

Nicolas Peters

Gero Decker

# A web-based graphical process modeling tool

extensible

easy



open

Oryx - Mozilla Firefox

http://b3mn.hpi.uni-potsdam.de/server.php?resource=Elaboration

Powered by HPI

**Shape Repository**

- BPMN
- Diagram
- Activities
- Gateways
  - AND Gateway
  - OR Gateway
  - Data-based Exclusive (XOR) Gateway
  - Event-based Exclusive (XOR) Gateway
  - Complex Gateway
- Swimlanes
- Artifacts
  - Group
  - Text Annotation
  - Data Object
- Startevents
- Intermediate Events
- Endevents
- Connecting Objects
  - Sequence flow
  - Conditional flow

**Properties**

Name	Value
Id	
Categories	
Documentation	
Name	select review
Pool	
Lanes	
ActivityType	Task
Status	None
InputSets	
Inputs	
OutputSets	
Outputs	
IORules	
StartQuantity	1
LoopType	None
LoopCondition	
LoopCounter	1
LoopMaximum	1
TestTime	After
MI_Condition	
MI_Ordering	Sequential
MI_FlowCondition	All
ComplexMI_Conditio	
isCompensation	
TaskType	None

http://b3mn.hpi.uni-potsdam.de/server.php?resource=Elaboration#

2005

- Idea: create own process modeling tool suite at BPT group
- First version: GEF-/eclipse-based BPMN editor

2006

- Bachelor project starts developing Oryx

2007

- Oryx released as open source
- Major interest from industry and academia
- First external plugin from Stuttgart (BPMN 2 BPEL)

2008

- Continuous improvements
- More HPI plugins (EPC, layouting, analysis, ...)
- More external plugins from Stuttgart, Australia, ...

## 1. Easy access

- Zero-installation, a process model “just a bookmark away”

## 2. Full BPMN support

- All language constructs and attributes

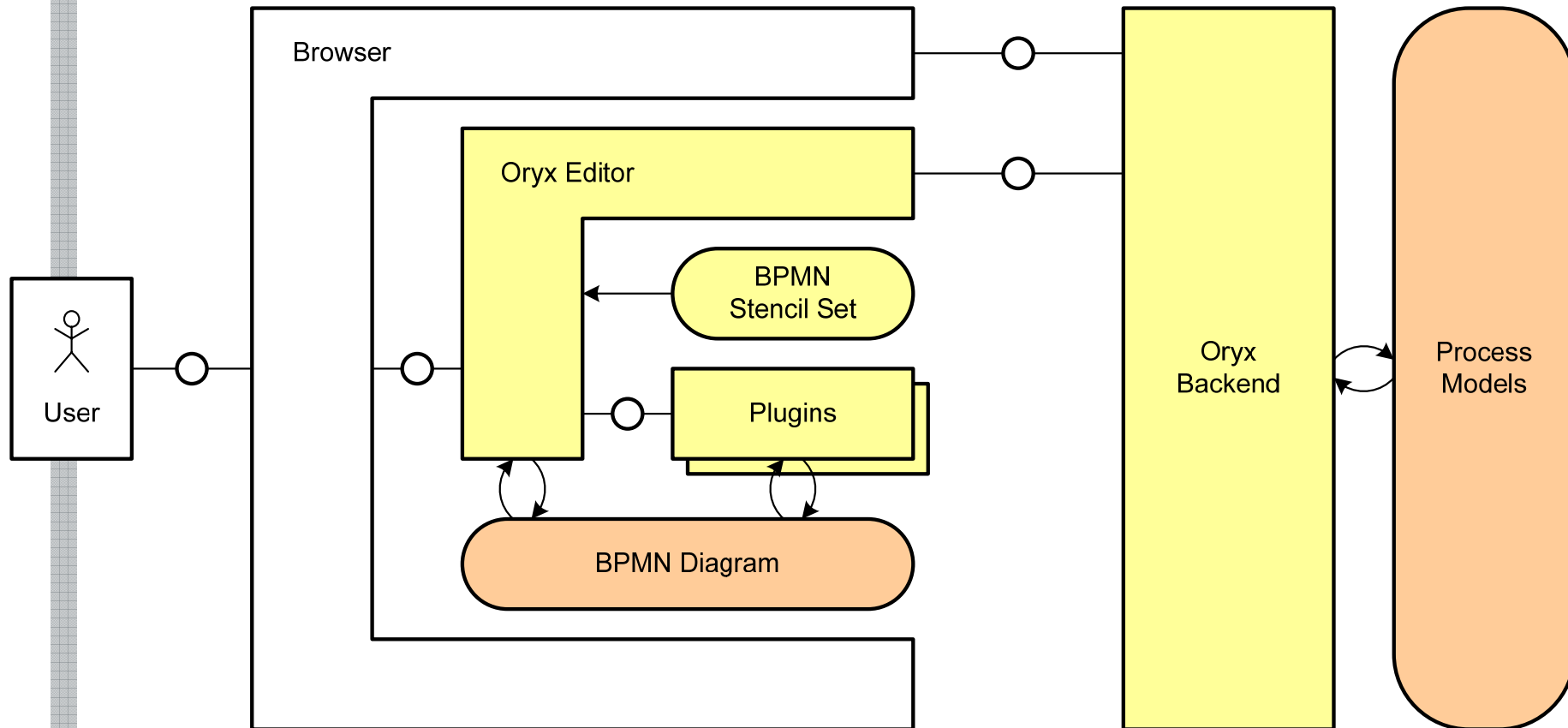
## 3. Extensibility

- New languages, new functionality

## 4. Support for open standards / interoperability

- XPD, RDF, BPEL

6



## Oryx Editor

- Canvas, palette, properties view, UI event handling
- Data serialization

## Stencil Sets

- Language definitions: shapes + syntax rules

## Plugins

- Editing functionality: selection, grouping, resizing, ...
- Language-specific plugins

## Oryx Backend

- Delivery of models + editor implementation
- Storage, authentication + authorization

## Oryx Editor

- Support of BPMN, EPC, Petrinets, Workflownets
- On-the-fly syntax checking
- Shape menu – innovative UI for fast modeling

## BPMN

- Attached intermediate events on activities

## Process Model Repository

- User management (OpenID)
- Sharing/Publishing

# ORX- and this is just the beginning

9

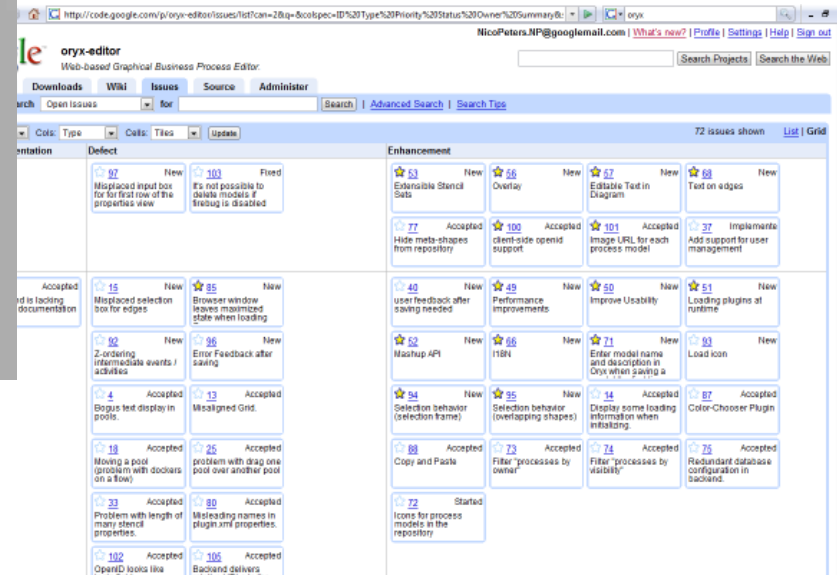
Several projects at the HPI and other institutes are currently extending Oryx

- New stencil sets, e.g. BPMN 1.1
- New plugins, e.g. automatic layouting, more export formats

5 developers are working on the core of Oryx

- Extending the possibilities for stencil sets and plugins
- Increasing performance
- ...

Oryx homepage: <http://oryx-editor.org/>



Development homepage: <http://code.google.com/p/oryx-editor/>